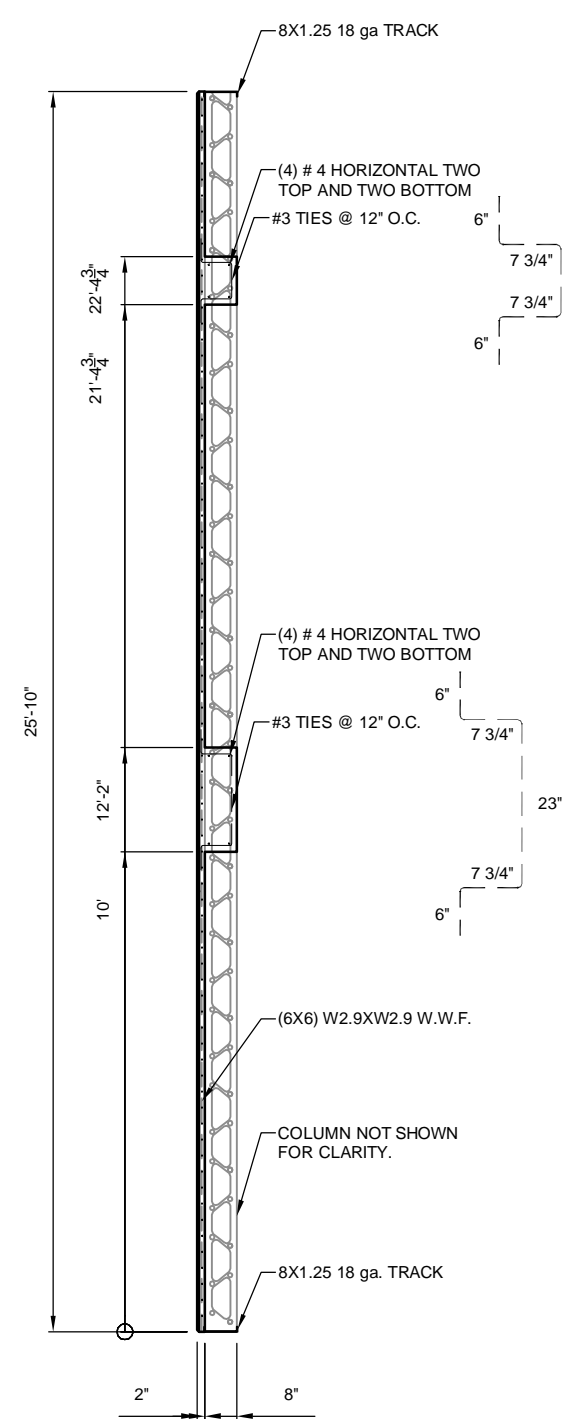


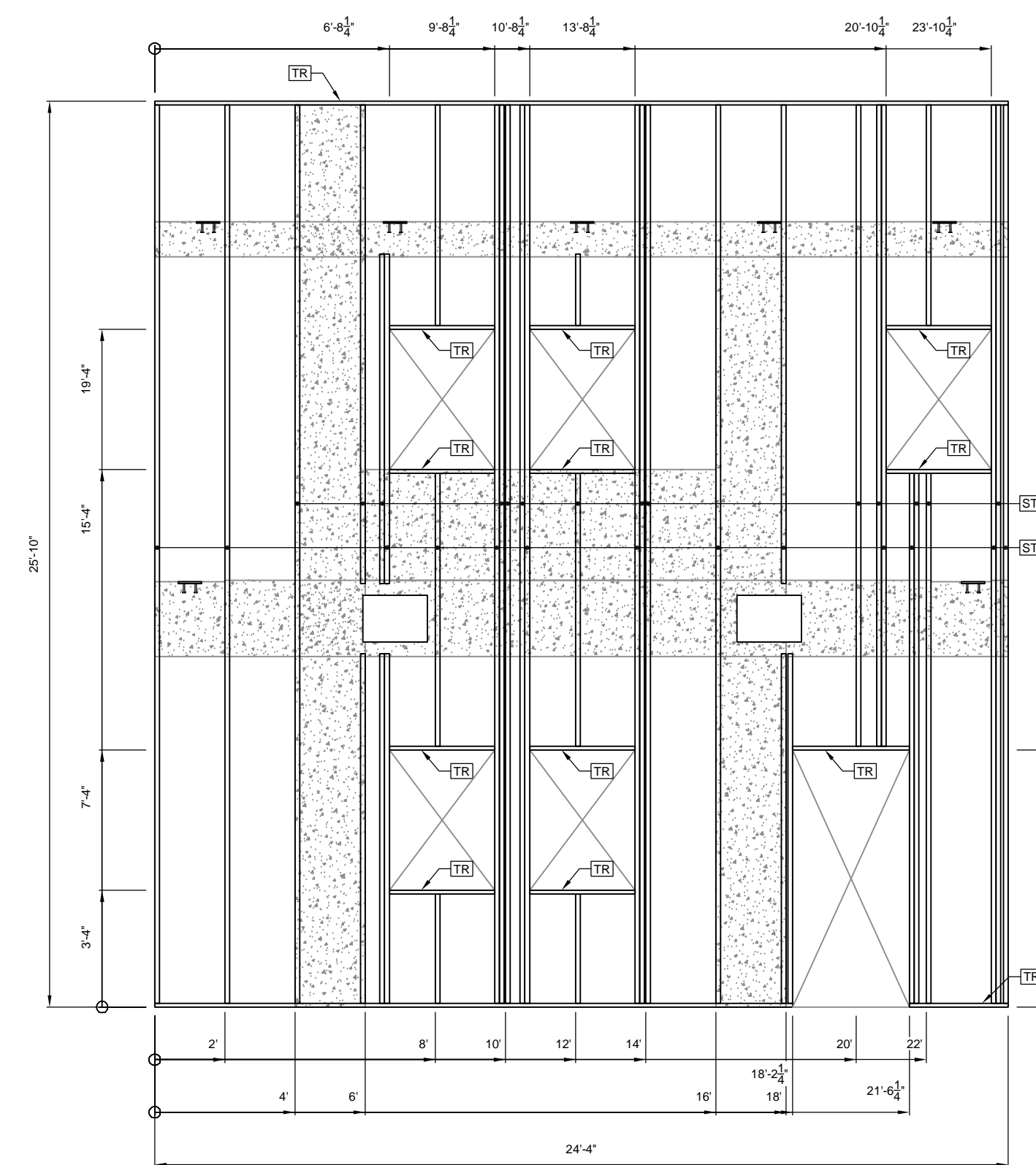
STUDS	
NO.	DESCRIPTION
ST-1	8X1.625 18 ga. COMPOSITE DELTA STUD
ST-2	8X1.625 18 ga. UN-PUNCHED COMPOSITE DELTA STUD

TRACKS	
NO.	DESCRIPTION
TR	8X1.25 18 ga. TRACK

EMBEDS	
NO.	DESCRIPTION
EM-1	1/2"X6"X0-8" PL W/ (2) 1/2"Ø X 6" H.S.A.
EM-7	3/4"X1-4"X1-10" PL W/ (6) 3/4"Ø X 6" H.S.A.

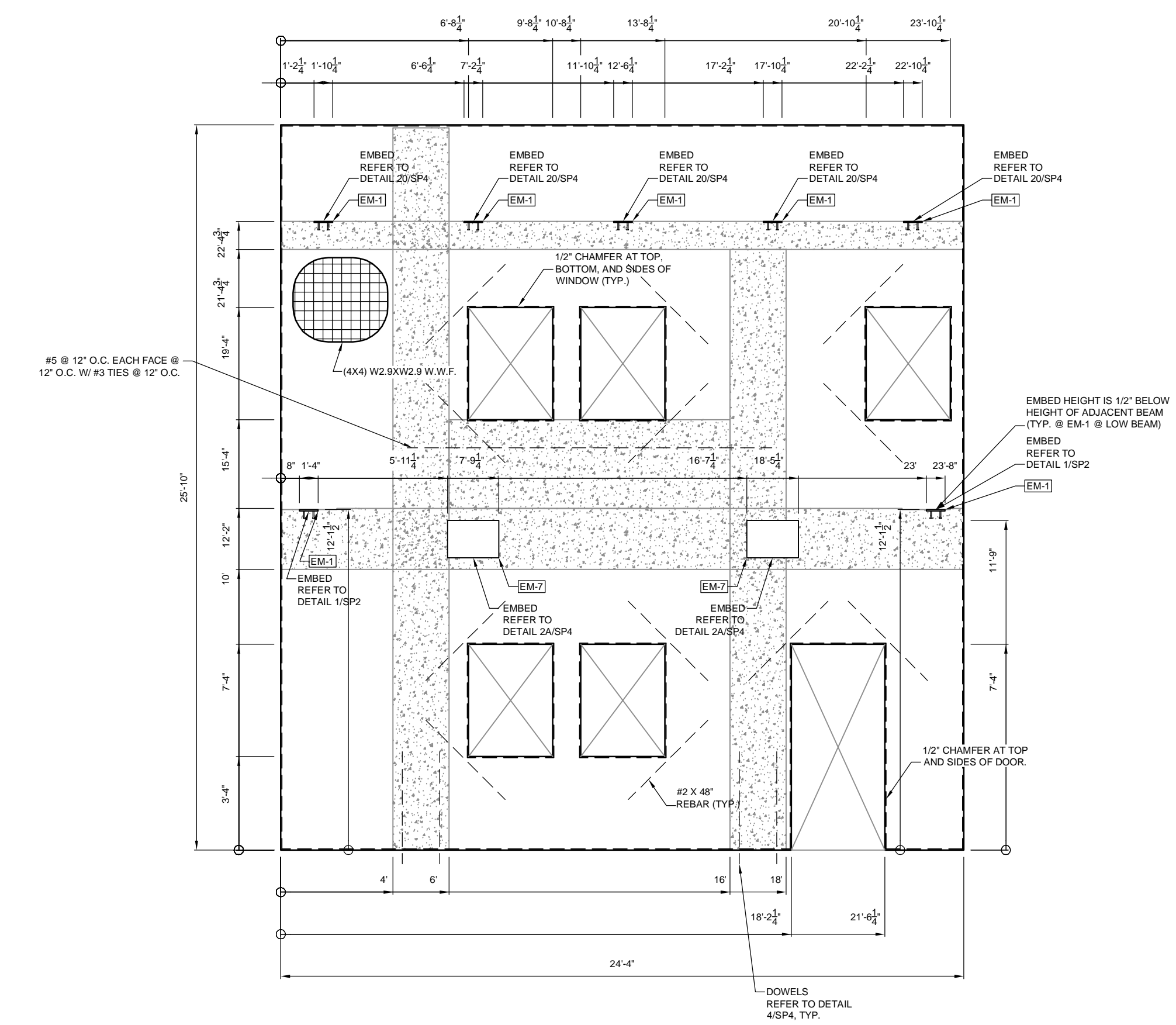


SECTION VIEW



FRAME VIEW
SCALE: 1/4"=1'-0"

NOTE:
1/2" CHAMFER @ TOP, BOTTOM AND SIDES OF PANEL AT EXTERIOR EDGE.



FORM VIEW

6001 W. WILLIAM CANNON
BLDG. 2, SUITE 203-C
AUSTIN, TX 78749
(512) 301-3389 (o)
(512) 301-3348 (f)

TEXAS
DESIGN
INTERESTS, LLC
AUSTIN • HOUSTON
COMMERCIAL/RESIDENTIAL - CIVIL & STRUCTURAL ENGINEERING

FORT BLISS - EL PASO, TEXAS

PANEL P16

PROJECT #
308-108.1

DATE
07/24/09

SHEET

P16